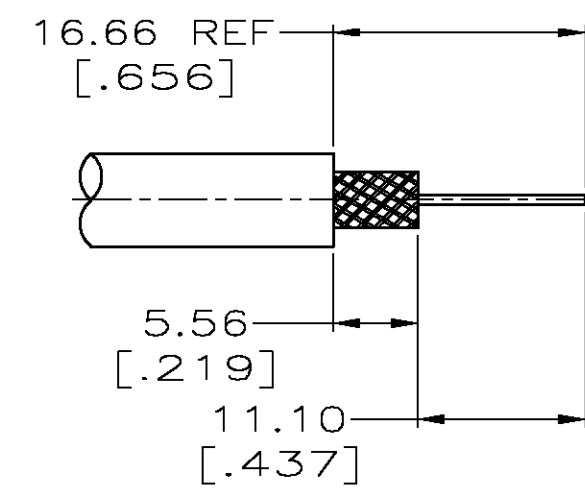
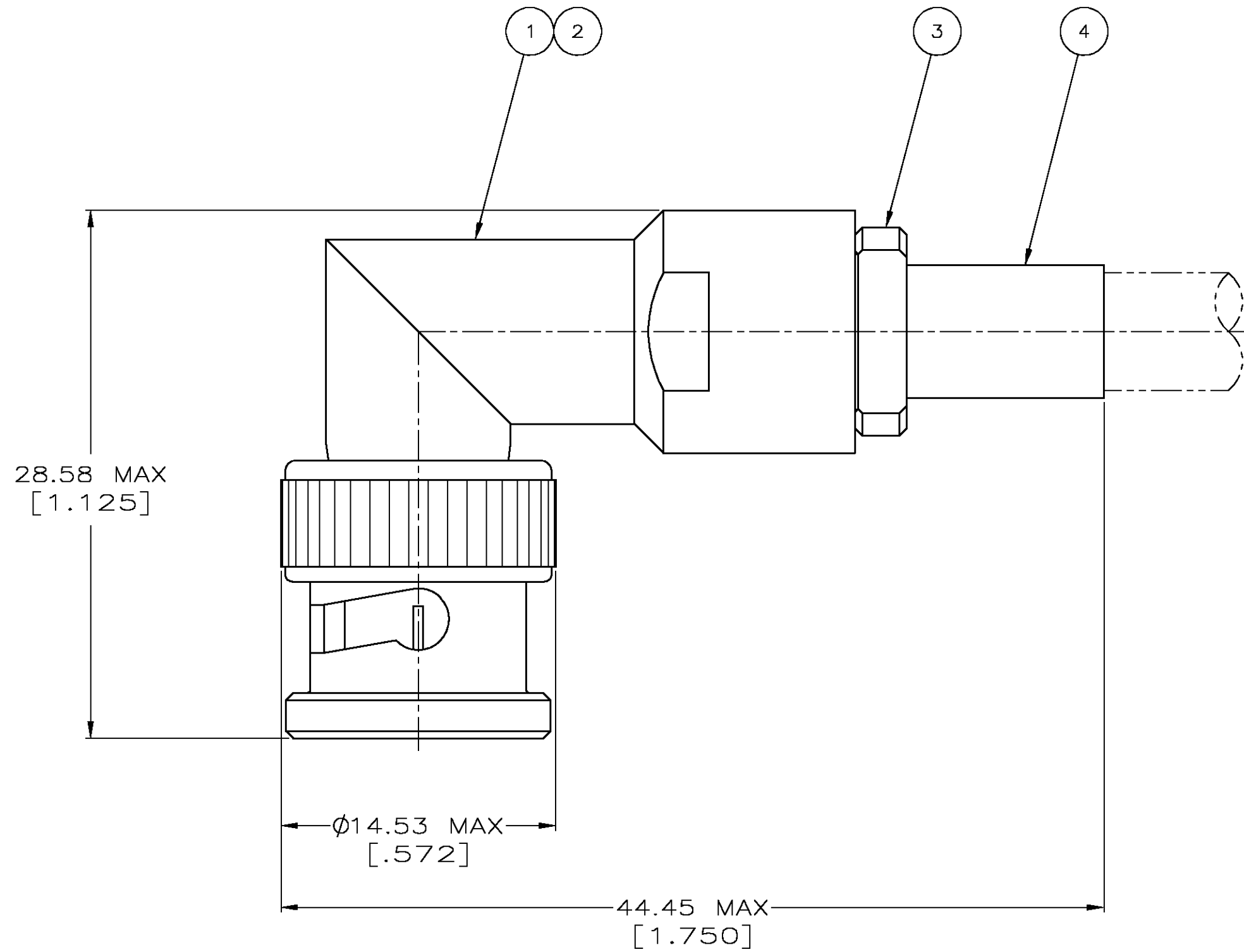


THIS DRAWING IS UNPUBLISHED. RELEASED FOR PUBLICATION
 © COPYRIGHT BY TYCO ELECTRONICS CORPORATION. ALL RIGHTS RESERVED.

LOC		DIST		REVISIONS					
AJ		16		P	LTR	DESCRIPTION	DATE	DWN	APVD
				K		EC PER 0S14-0192-04	12NOV2004	JGH	JL

1. USE INSTRUCTION SHEET 1799-5



RECOMMENDED STRIP LENGTH
SCALE 2:1

SUPERSEDED BY 329926	-	-	-	-	-	-	2-331182-1
	RG-55/U, 55A/U, 55B/U, 223/U	69140-2	9-414489-0	50793-1	2-329106-1	330797	331182
	RG-142/U, 142A/U, 142B/U	69331-1					
	CABLE	CRIMP TOOL	④ FERRULE QTY=1	③ CRIMP END ASSEMBLY QTY=1	② GASKET QTY=1	① PLUG ASSEMBLY, BULKHEAD QTY=1	PART NUMBER

THIS DRAWING IS A CONTROLLED DOCUMENT.

DIMENSIONS: mm [inches]	TOLERANCES UNLESS OTHERWISE SPECIFIED: 0 PLC ± - 1 PLC ± - 2 PLC ± 0.41 [.016] 3 PLC ± - 4 PLC ± - ANGLES ± - FINISH -	DWN MICHAEL E. COWHER 09FEB96 CHK FRANK P. MORANA 15FEB96 APVD FRANK P. MORANA 15FEB96	tyco Electronics Tyco Electronics Corporation Harrisburg, PA 17105-3608
MATERIAL -	FINISH -	PRODUCT SPEC - APPLICATION SPEC - WEIGHT -	NAME - PLUG, RIGHT ANGLE, 50 OHM, BNC SIZE A2 CAGE CODE 00779 DRAWING NO C=331182 RESTRICTED TO -
CUSTOMER DRAWING		SCALE 4:1	SHEET 1 OF 1 REV K